

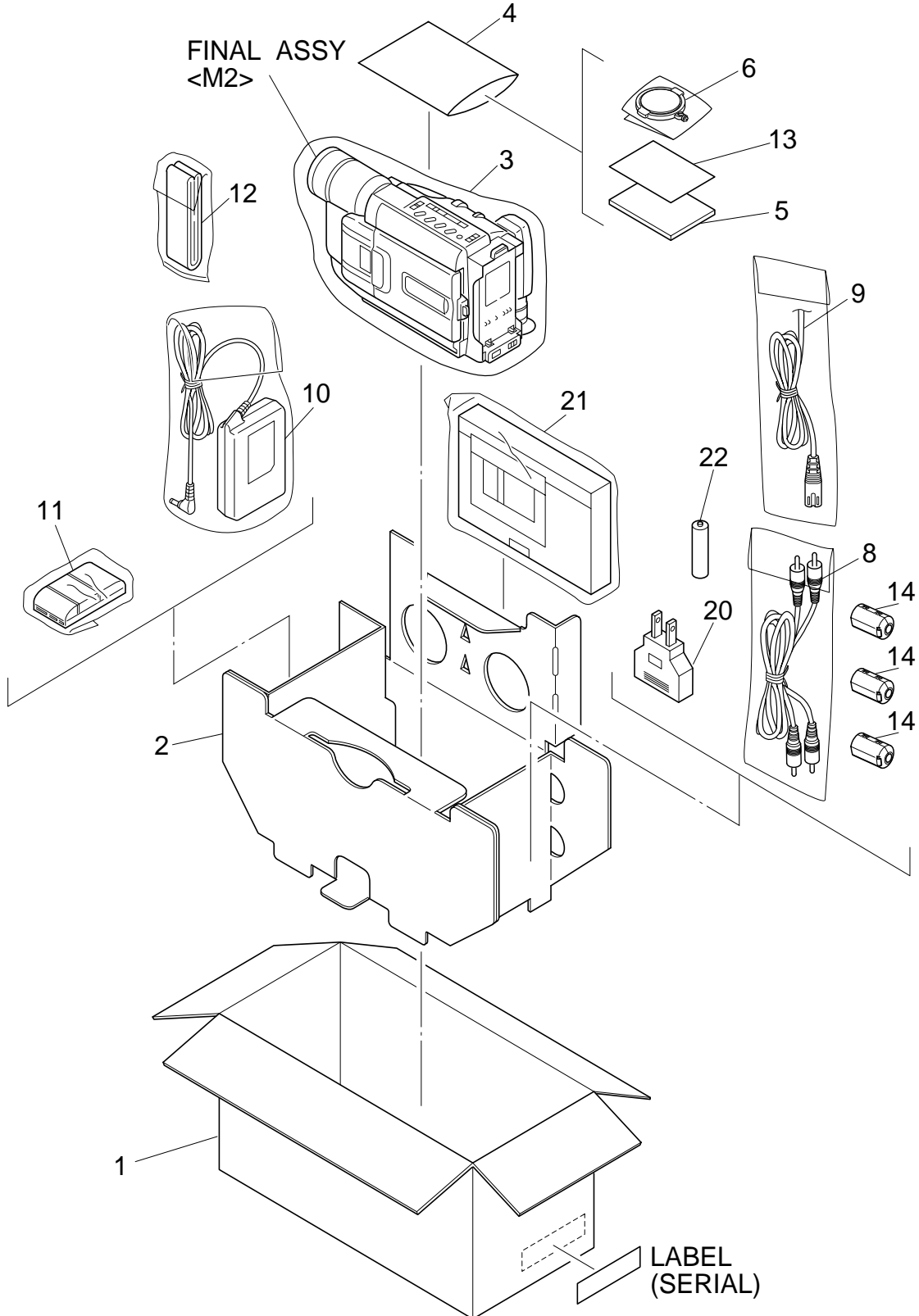
# SECTION 5 PARTS LIST

## SAFETY PRECAUTION

Parts identified by the  symbol are critical for safety. Replace only with specified part numbers.

### 5.1 PACKING AND ACCESSORY ASSEMBLY <M1>

The instruction manual to be provided with this product will differ according to the destination.



#  $\Delta$  REF No. PART No. PART NAME, DESCRIPTION

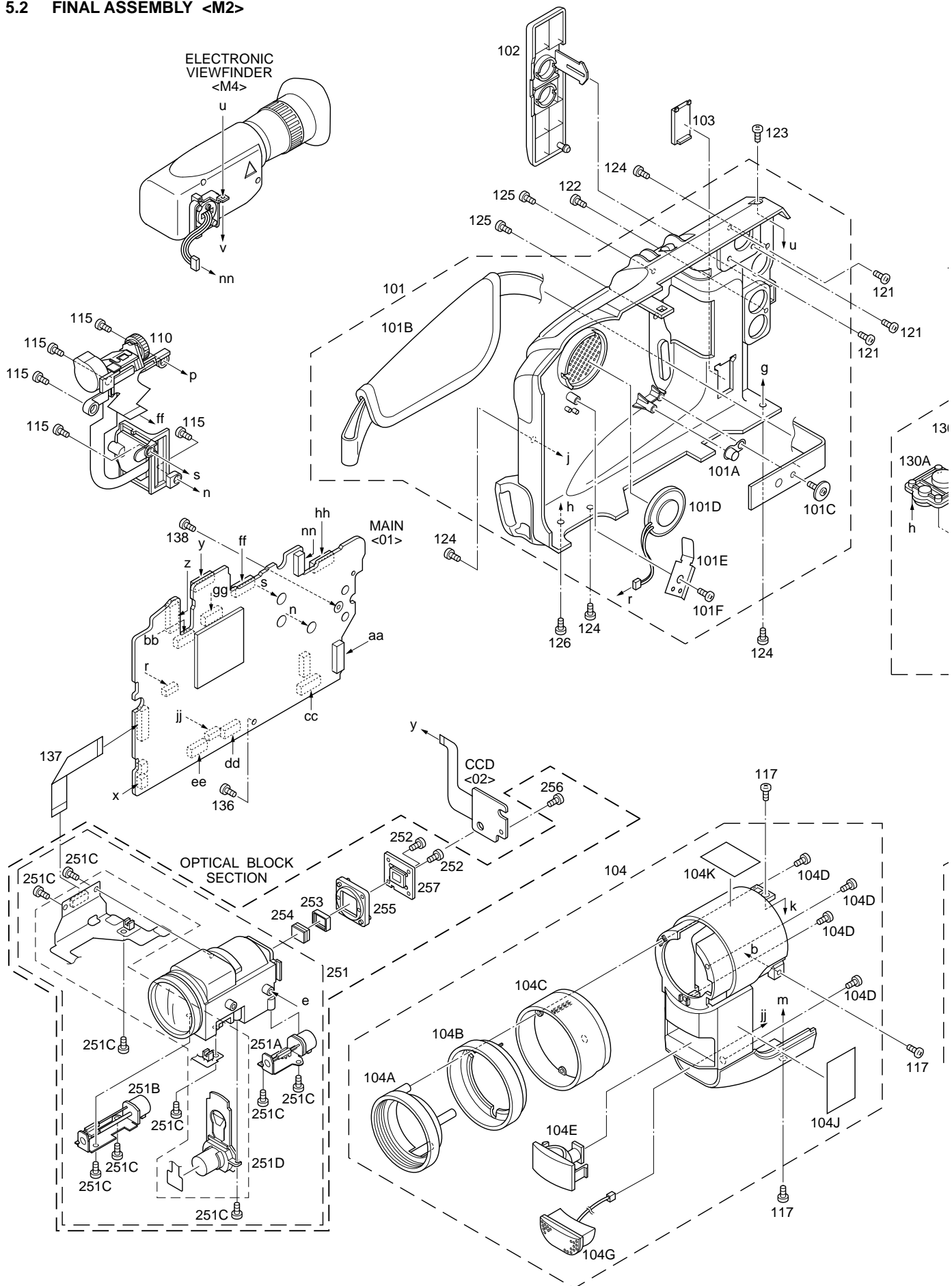
\*\*\*\*\*

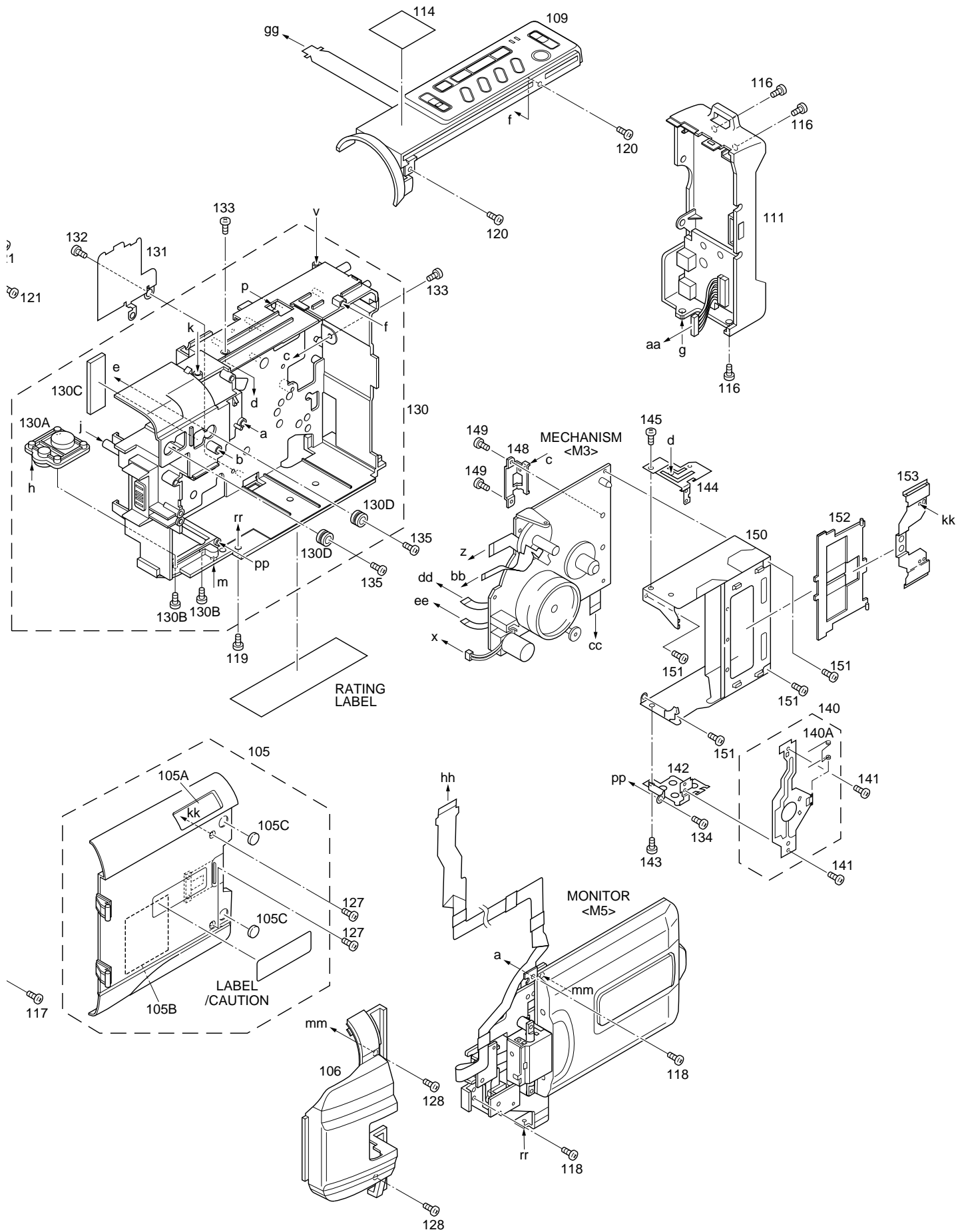
**PACKING AND ACCESSORY ASSEMBLY <M1>**

1	LY32054-075A	PACKING CASE,170A
	LY32054-095A	PACKING CASE,17A
2	LY32065-001A	CUSHION
3	LY30023-002A	POLY BAG
4	QPA02003506	POLY BAG
$\Delta$ 5	LYT0683-001A	IB(EN)
$\Delta$	LYT0683-002A	IB(CH),170A
$\Delta$	LYT0683-003A	IB(RU)
$\Delta$	LYT0683-004A	IB(AR)
6	LY41538-002B	LENS CAP
8	PEAC0362-150	CABLE ASSY(AUDIO/VIDEO)
$\Delta$ 9	QMPL120-190-JR	POWER CORD
$\Delta$ 10	LY20688-003A	AC ADAPTER,AP-V10A
$\Delta$ 11	YQ10629E	BATTERY PACK,BN-V11U
12	LY20186-001A	SHOULDER STRAP
13	LYT0609-001A	SHEET(CON.PLUG)
14	QQR0491-002	CORE FILTER,X3
$\Delta$ 20	PEMC1012-02	CONVERSION PLUG
21	YQ31963A-3	CASSETTE ADAPTER,170A
	or YQ31963B-3	CASSETTE ADAPTER,170A
22	-	BATTERY,AA(R6),FOR CASS.ADAPTER 170A

- **INSTRUCTIONS**
- EN ..... ENGLISH
- CH ..... CHINESE
- RU ..... RUSSIAN
- AR ..... ARABIC

5.2 FINAL ASSEMBLY <M2>





#	△ REF No.	PART No.	PART NAME, DESCRIPTION
*****			
<b>FINAL ASSEMBLY &lt;M2&gt;</b>			
101		LY20684-005A	LOWER CASE ASSY
101A		LY40081-001A	CAP
101B		LY20682-001A	GRIP BELT
101C		LY30018-003A	SPECIAL SCREW
101D		QAS0061-001	SPEAKER
101E		LY42764-001B	HOLDER(SPEAKER)
101F		QYLSLF2050Z	SCREW
102		LY31945-001B	COVER(JACK)
103		LY31946-001A	COVER(JIG)
104		LY20683-006B	FRONT COVER ASSY
104A		LY31937-001A	HOOD
104B		LY31938-001A	COVER(HOOD)
104C		LY31936-001A	RING
104D		QYLSLF2060D	SCREW,X4
104E		LY30934-017A	COVER(LIGHT)
104G		LY32043-001A	MICROPHONE
104J		LY32058-001A	STICKER(A)
104K		LY32060-001A	STICKER(C)
105		LY20694-001A	CASS.COVER(M)ASSY
105A		LY42883-001A	MARK
105B		LY40559-001A	SHIELD SHEET
105C		LY40076-001A	SPACER,X2
106		LY10257-020B	UPPER CASE(M),170A
		LY10257-024A	UPPER CASE(M),17A
109		LY20614-004B	TOP OPE UNIT
110		LY20613-001A	ZOOM UNIT
111		LY20615-004A	REAR UNIT
114		LY32061-003A	STICKER(D)
115		QYLSLF2060D	SCREW,X5
116		QYLSLF2060D	SCREW,X3
117		QYLSLF2060D	SCREW,X3
118		QYLSLF2060D	SCREW,X2
119		QYSLSP2030D	SCREW
120		QYLSLF2060D	SCREW,X2
121		QYLSLF2050Z	SCREW,X3
122		QYLSLF2060D	SCREW
123		QYLSLF2060D	SCREW
124		QYLSLF2060D	SCREW,X4
125		QYLSLF2060D	SCREW,X2
126		QYLSLF2060D	SCREW
127		QYSLSP2030D	SCREW,X2
128		QYSLSP2030D	SCREW,X2
130		LY20678-002A	FRAME ASSY
130A		YQ31843	BASE
130B		QYLSLF2060D	SCREW,X2
130C		LY30029-0A4A	SPACER(A)
130D		LY41082-001A	CUSHION(OP),X2
131		LY42758-001A	S.CASE(MAIN)
132		QYSPSTU1725M	SCREW
133		LY41173-001A	SPECIAL SCREW,X2
134		QYLSLF1750D	SCREW
135		LY30018-050A	SPECIAL SCREW,X2
136		LY42981-001A	SPECIAL SCREW
137		WJT0039-001A	E-CARD WIRE,OP-MAIN CN15
138		QYLSLF2060D	SCREW
140		LY31790-001A	FRONT FRAME ASSY
140A		YQ44144-1-1	TAPE GUIDE
141		SPSH1725M	SCREW,X2

#	△ REF No.	PART No.	PART NAME, DESCRIPTION
142		LY31807-001A	SIDE BRACKET L
143		LY42722-003A	SCREW
144		LY31806-001A	SIDE BRACKET R
145		LY42722-003A	SCREW
148		LY31816-001A	BRACKET(MECHA)
149		LY42722-003A	SCREW,X2
150		LY31808-001A	CASS.HOUSING ASSY
151		LY42722-003A	SCREW,X4
152		LY30176-001A	CASS.CO.V.INSIDE
153		LY31956-001A	BRACKET(C.CO.V.)
<b>- OPTICAL BLOCK SECTION -</b>			
251		LY30948-003A	OP BLOCK ASSY
251A		PTY30948-002	FOCUS MOTOR
251B		PTY30948-321	ZOOM MOTOR
251C		PTY30151-016	SCREW,X9
251D		PTY30948-006	IRIS MOTOR UNIT,INCL.FPC
252		QYSPSGU2080Z	SCREW,X2
253		LY31441-001A	SPACER RUBBER
254		LY41757-001A	OPTICAL LPF
255		LY20346-001A	CCD SPACER
256		LY30018-072A	SPECIAL SCREW
257		LYH40018-003A	CCD BASE ASSY